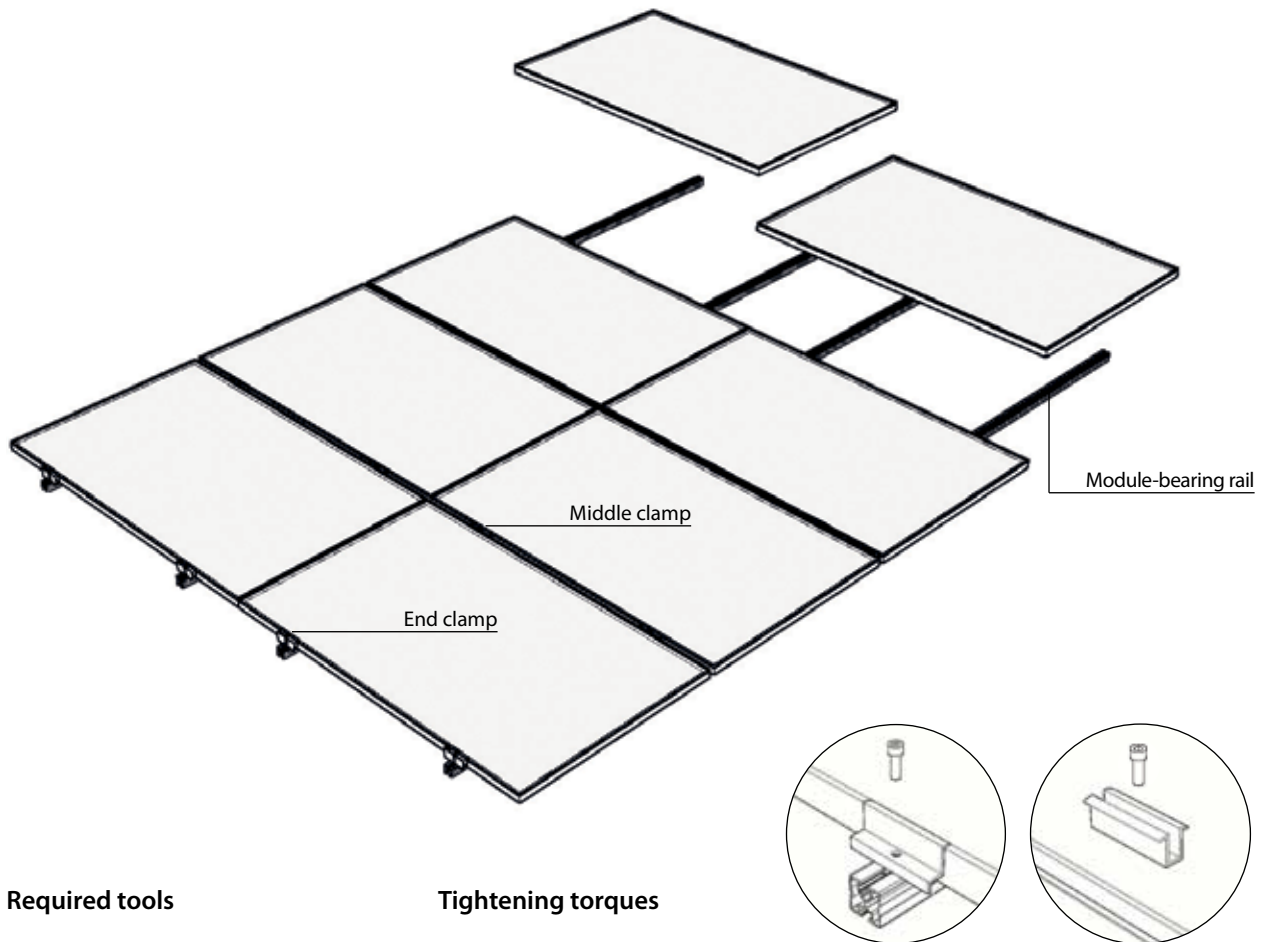


Schletter Standard module clamps

mounting instructions



Required tools

Cordless screwdriver with bit holder
Bit internal hexagon SW6



The Schletter tool kit contains the equipment for all standard systems.

Tightening torques

M8 bolted connections: 15 Nm

Safety instructions



Planning, mounting and putting into operation of the solar plant must be carried out by qualified specialists only. Poor quality assembly can result in damage to the plant and to the building and can put people in danger.



Risk of falling! There is a risk of falling when working on the roof as well as when ascending and descending the building. Accident prevention regulations must be observed and appropriate safety equipment must be used.



Risk of injury! Objects falling from the roof can injure or even kill people. The danger area around the installation site must be sealed off and people close to this area must be warned.



Risk of breakage! PV modules can be damaged if stepped upon or if handled without care.

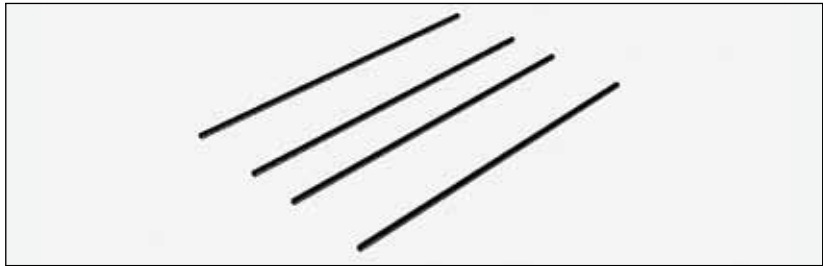


Risk of electric shock! The mounting and maintenance of the PV modules must be carried out exclusively by qualified specialists. Please observe all the safety regulations issued by the manufacturer!

1 Rail arrangement

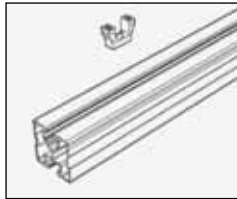
- Please check if the arrangement of the load-bearing rails corresponds to your module configuration.

⚠ Observe the fastening points defined by the module producer.



2 Insert square nuts

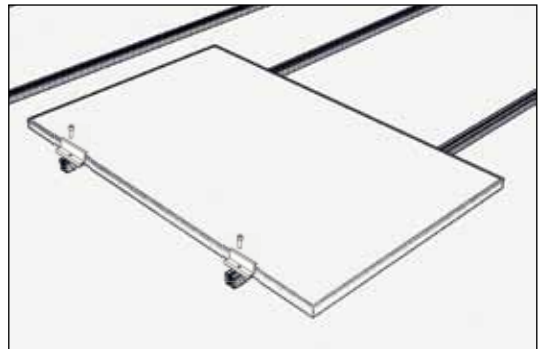
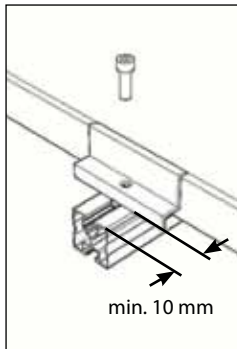
- Insert green KlickIn click components into the screw channel at the required fastening points.
- Feed M8 square nuts into the click components and rotate them through 90° so that the round side of the nut faces downwards.



3 Fasten the first module

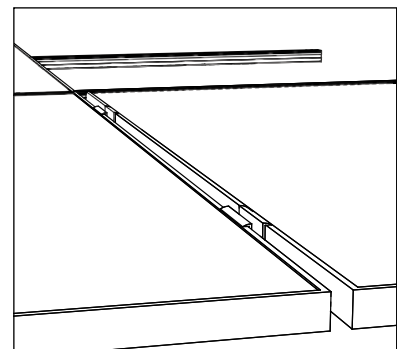
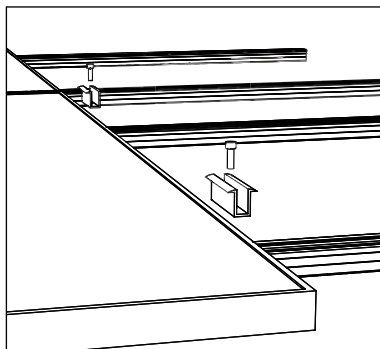
- Position the first module at the end of the rails.
- Put 2 end clamps on the fastening points and fasten them with M8 bolts (SW6).
- Connect the module cables correspondingly.

⚠ There must be a distance of at least 10 mm between the end clamp and the end of the rail (see picture on the right).



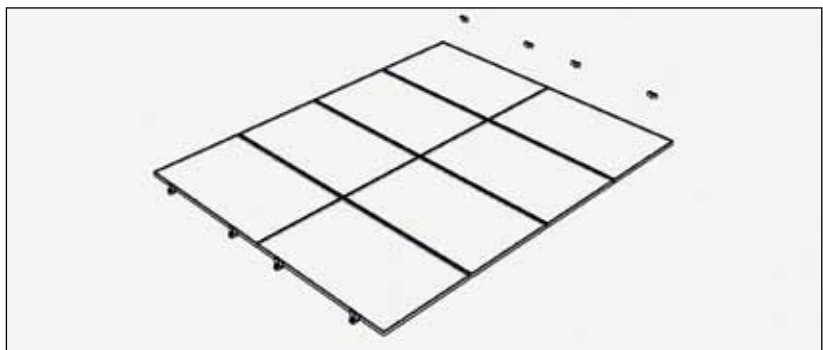
4 Fastening of further modules

- Pre-assemble 2 middle clamps with M8 bolts.
- Put on another module.
- Connect the module cables correspondingly.
- Fasten the middle clamp.
- Repeat these steps until the last module of the row is fastened.



5 Fastening of the last module

- Put 2 end clamps on the fastening points and fasten them with M8 bolts.



For further information about our systems, please visit our website www.schletter.eu and go to the download area.