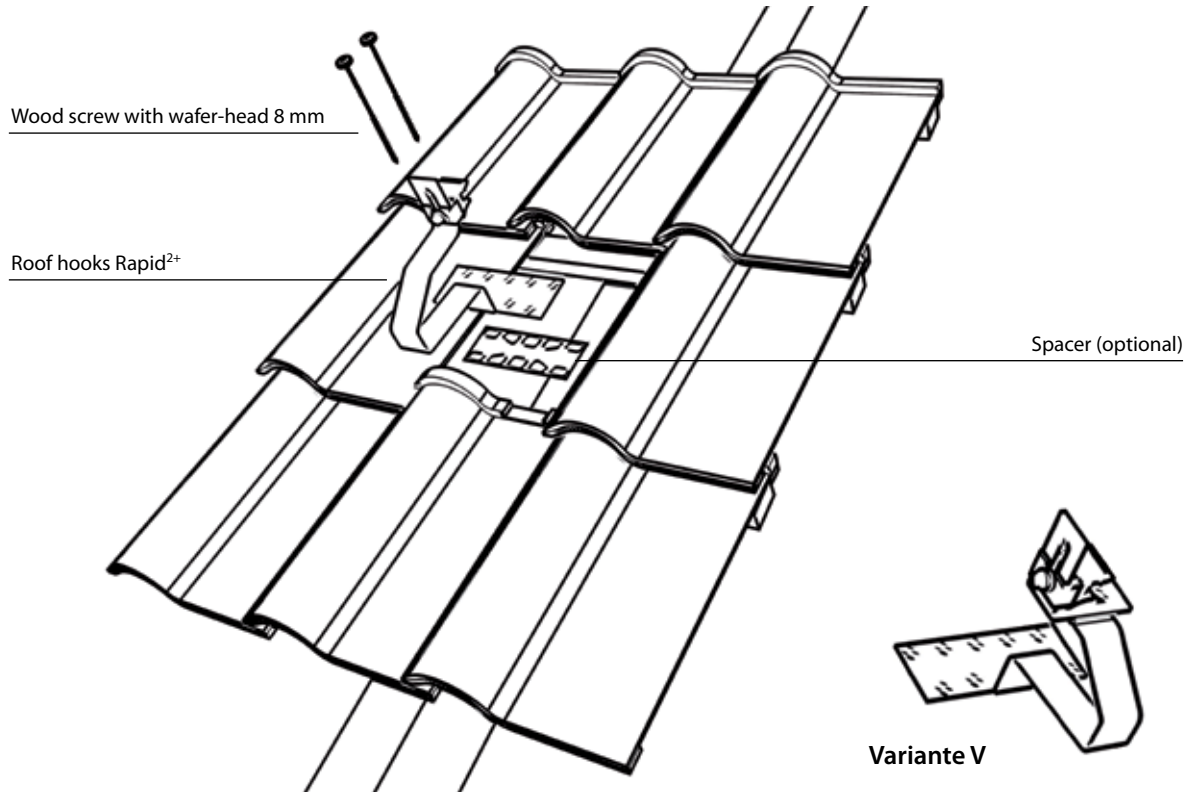


# Roof hooks Rapid<sup>2+</sup>

## Mounting Instruction



**Variante V**

for vertical rail mounting

### Required tools

- Screwdriver with bit holder
- Bit TX-drive T40
- Angle grinder with diamond grinding wheel



The Schletter-tool kit contains the tools required for all standard systems.

### Additional documentation required

Roof-hook mounting - General guidelines

### Tightening torques

M8 bolted connections: 15 Nm

Exception:

Wood screws: use a depth-stop

### Safety instructions



Planning, mounting and start-up of the solar plant must be performed by qualified personnel only. Poor quality execution can result in damage to the plant and to the building and can present a risk to people.



Risk of falling! There is a risk of falling when working on the roof as well as when ascending and descending the building. Accident prevention regulations must be observed and appropriate safety equipment must be used.

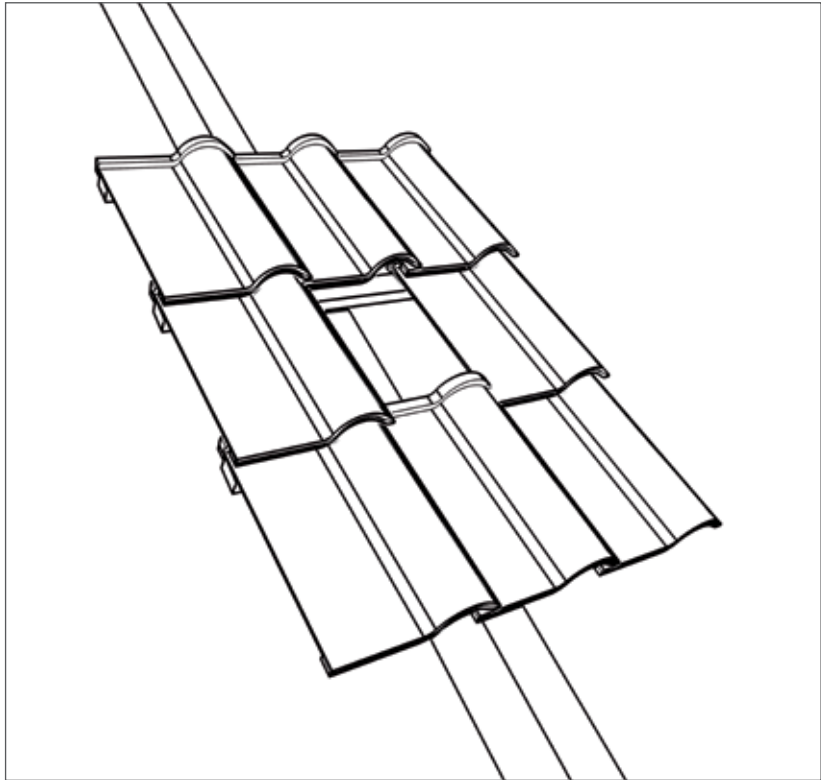


Risk of injury! Objects falling from the roof can cause injury to people. The danger area around the installation site must be secured and people present in the area warned of the risks.

- 1 Select position**
  - Select a position along the existing rafter.
  - Remove a roof tile.

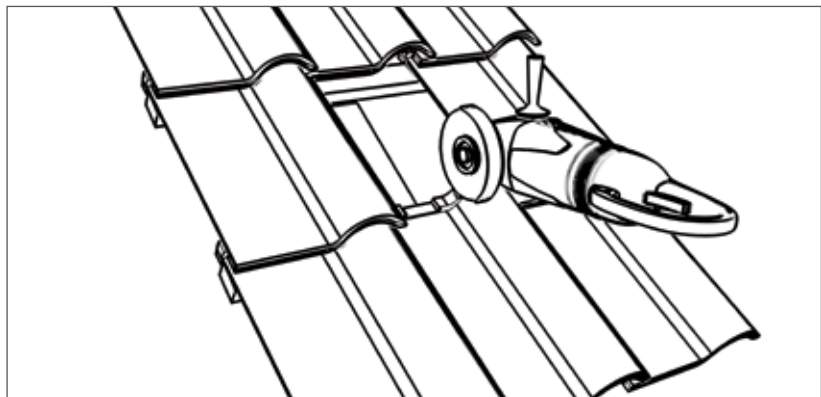
**⚠** Hang a hook, ensuring a minimum distance of 5 mm between the lower bar of the hook and the tile beneath (see dimensions diagram). When ordering roof hooks, please ensure that these are appropriate for use with existing tiles and that the minimum distances between hook and tile can be maintained.

**⚠** For the following steps, the standard rules for working on a roof must be observed. Any modification to previously laid tile arrangements can lead to a loss of warranty and/or guarantee for the roof covering. Errors of precision can result in substantial damage caused by leaks in the roof.



- 2 Grind the tile**
  - If the tile beneath the hook has an upturned lip, this can be removed in order to achieve the minimum clearance. Please use an angle-grinder with diamond blade.

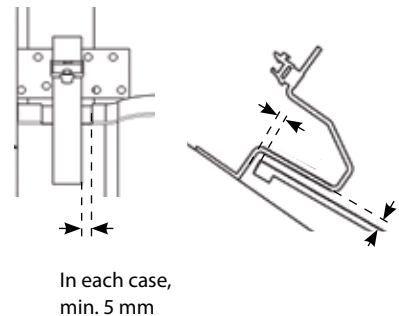
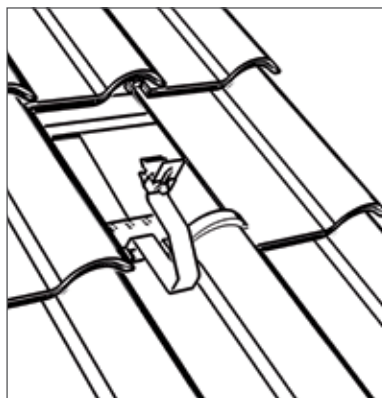
**⚠** Remove the upturned lip only, under no circumstances grind into the tile itself. Grind the upturned lip just enough to achieve the minimum clearance.



- 3 Hang the roof hook**
  - Check for clearance of min. 5 mm around the roof hook.

**⚠** With shallower roof inclinations and unusual tile formats we recommend applying our "Sealing tape for roofing tiles" prior to hanging each roof hook.

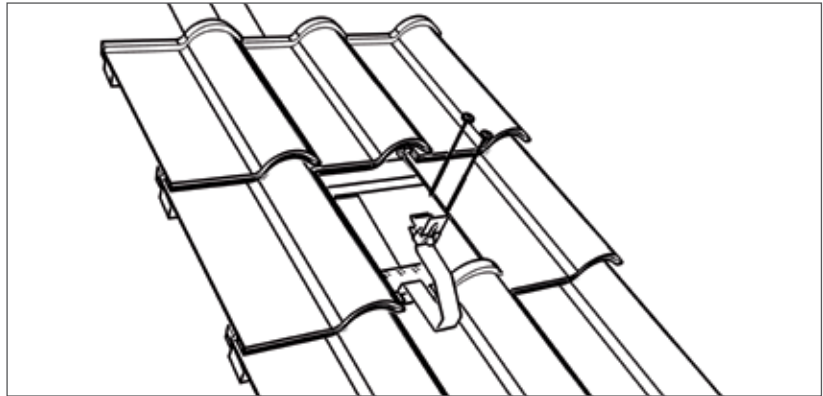
**⚠** Use a spacer if required.



**4 Mount roof hooks**

- Use 2 x 8 mm wood screws to fasten hooks to the roof.

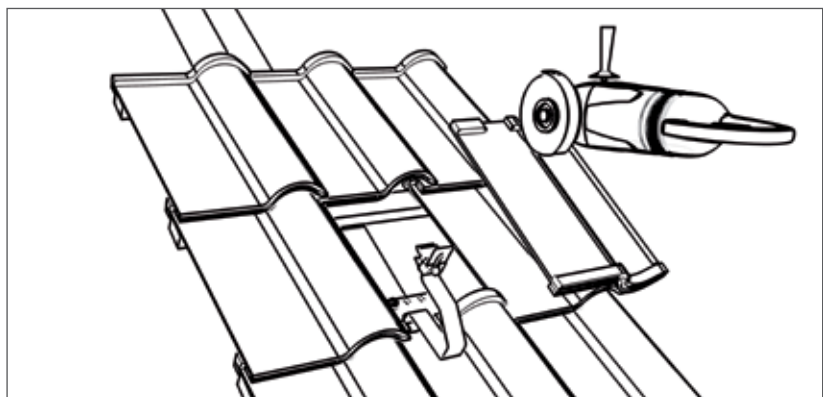
**⚠** Select screw length so as to ensure a minimum thread engagement of 80 mm



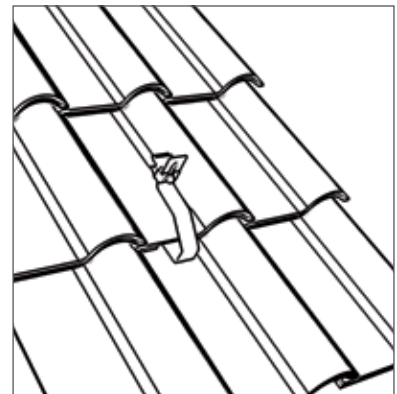
**5 Grind the tile**

- Turn the respective tile
- Using a diamond angle grinder remove a portion of the protruding lip around the roof hook.

**⚠** Grind the lip to allow for a 5 mm clearance around the roof hook. Remove the lip only! Do not grind deeper into the tile!

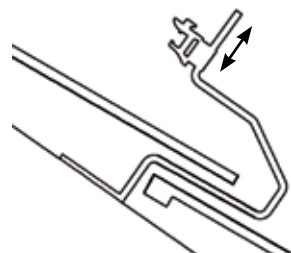
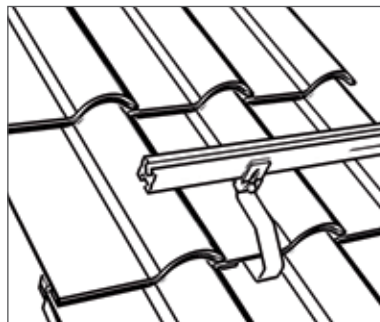


**6 Hang the tile**



**7 Mount rail**

- Hook in rail.
- Adjust the KlickTop attachment to the desired height to mitigate uneven areas across the roof.
- Tighten all pre-positioned screws.



For further information relating to our systems, please refer to our website: [www.schletter.eu](http://www.schletter.eu) under Downloads in the Solar section.