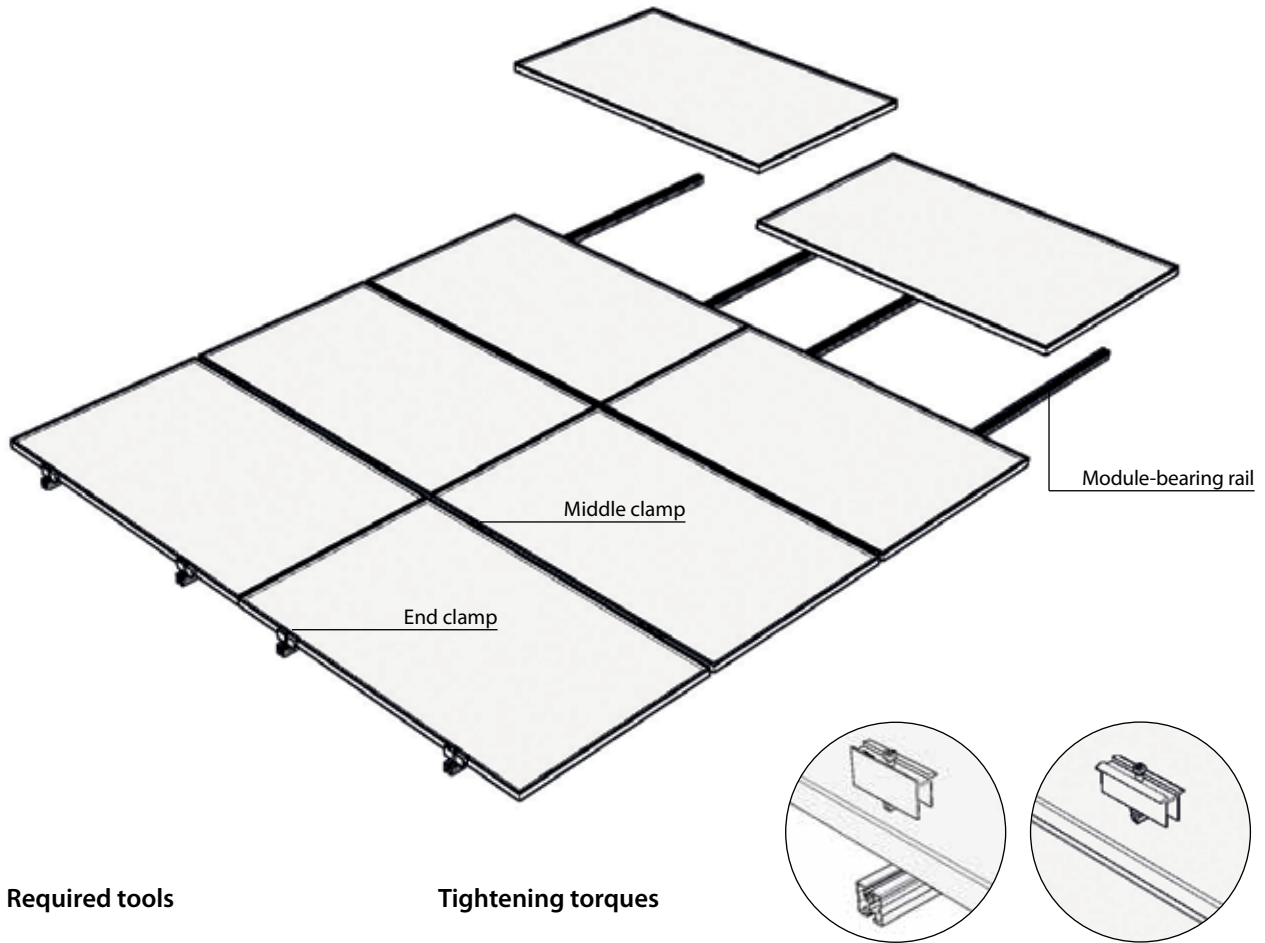


# Rapid<sup>2+</sup> module clamps

## mounting instructions



### Required tools

Screw driver with bit holder  
Bit TX drive T40

### Tightening torques

M8 bolted connections: 15 Nm



The Schletter tool kit contains the equipment for all standard systems.

### Safety instructions



Planning, mounting and putting into operation of the solar plant must be performed by qualified specialists only. Poor quality assembly can result in damage to the solar plant and to the building and can put people in danger.



Risk of falling! There is a risk of falling when working on the roof as well as when ascending and descending the building. Accident prevention regulations must be observed and appropriate safety equipment must be used.



Risk of injury! Objects falling from the roof can injure or even kill people. The danger area around the installation site must be sealed off and people close to this area must be warned.



Risk of breakage! PV modules can be damaged if stepped upon or if handled without care.

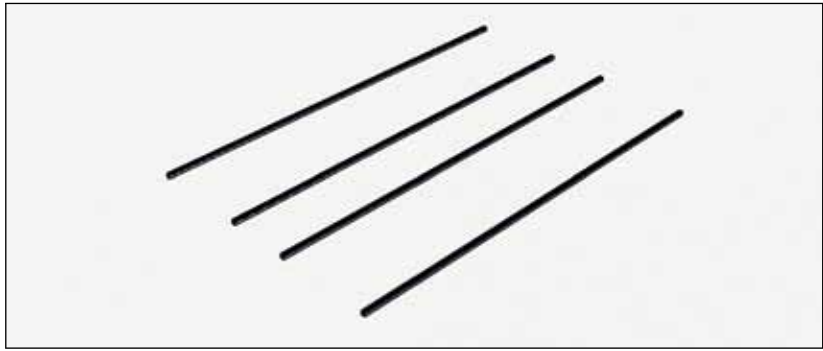


Risk of electric shock! The mounting and maintenance of the PV modules must be carried out exclusively by qualified specialists. Please observe all the safety regulations issued by the manufacturer!

**1 Rail arrangement**

- Please check if the arrangement of the load-bearing rails corresponds to your module configuration.

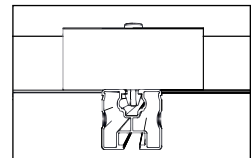
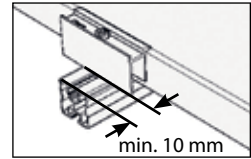
**⚠** Observe the fastening points defined by the module producer.



**2 Fastening of the first module**

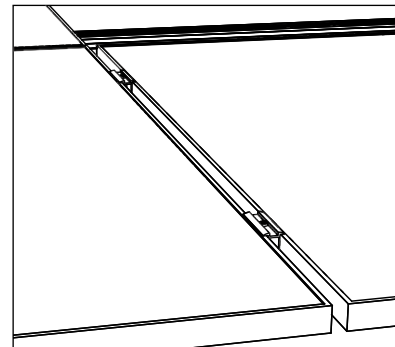
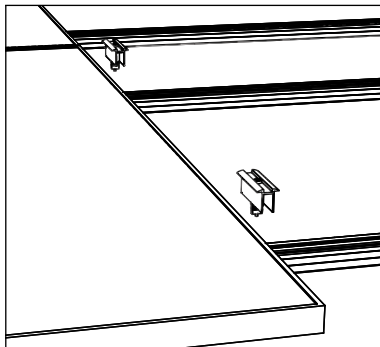
- Position first module at the end of the rails.
- Snap in 2 Rapid end clamps and tighten the bolts (TX-drive T40).
- Connect the module cables correspondingly.

**⚠** There must be a distance of at least 10 mm between the end clamp and the end of the rail (see picture at the far right).



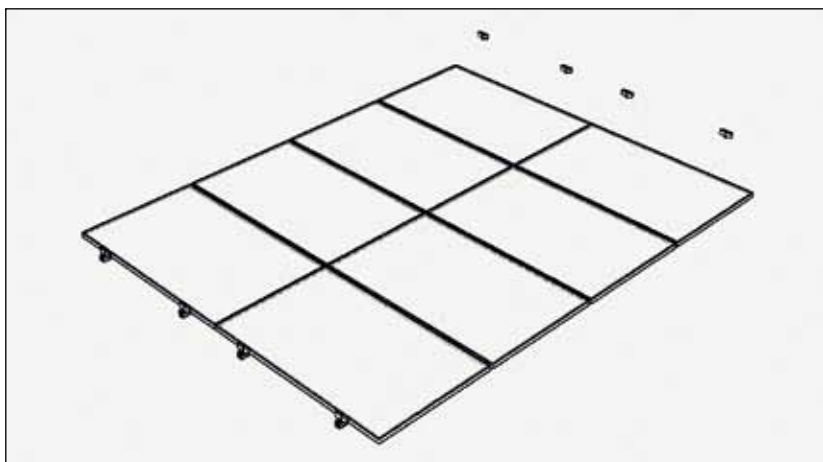
**3 Fastening of further modules**

- Snap in 2 Rapid middle clamps.
- Put on another module.
- Connect the module cables correspondingly.
- Fasten the screws.
- Repeat these steps until the last module of the row is fastened.



**4 Fastening of the last the first module**

- Snap in 2 Rapid end clamps and fasten the bolts.



For further information about our systems, please visit our website [www.schletter.eu](http://www.schletter.eu) and go to the download area.