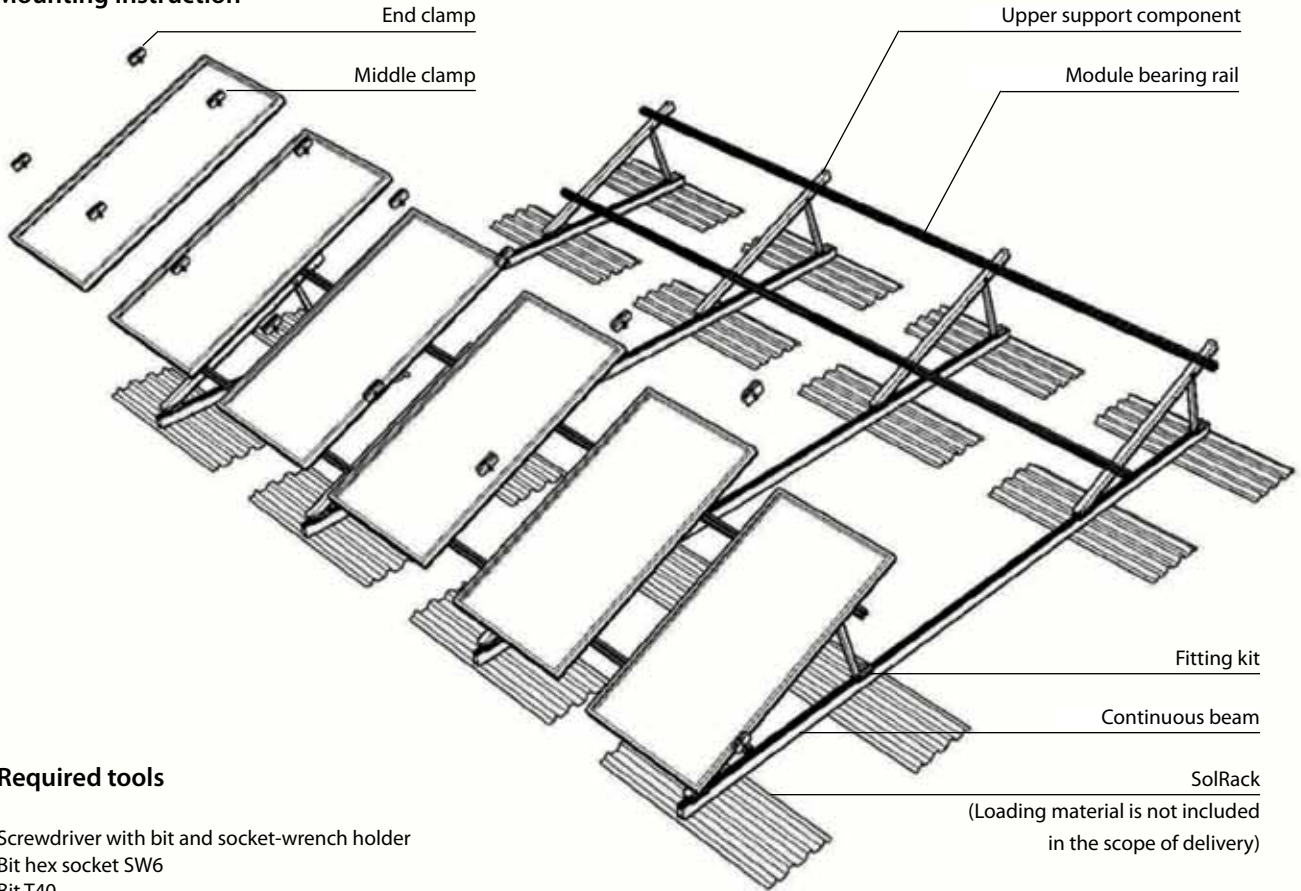


# CompactVario with SolRack

## Mounting Instruction



### Required tools

- Screwdriver with bit and socket-wrench holder
- Bit hex socket SW6
- Bit T40
- Socket wrench SW15, SW17
- Combination wrench SW15



The Schletter-tool kit includes tools required for all standard systems.

### Additional documentation required:

- System structural analysis
- Calculation documentation with schematic diagram, Parts list and plant-related statics with structural analysis for superimposed loads

### Safety instructions



Planning, mounting and start-up of the solar plant may only be performed by qualified personnel. Poor quality execution can result in damage to the plant and to the building and can present a risk to people.



Risk of falling! There is a risk of falling when working on the roof as well as when ascending and descending the building. Accident prevention regulations must be observed and appropriate safety equipment must be in place.



Risk of injury! Objects falling from the roof can cause injury to people. The danger area around the installation site must be secured and people present in the area warned of the risks.

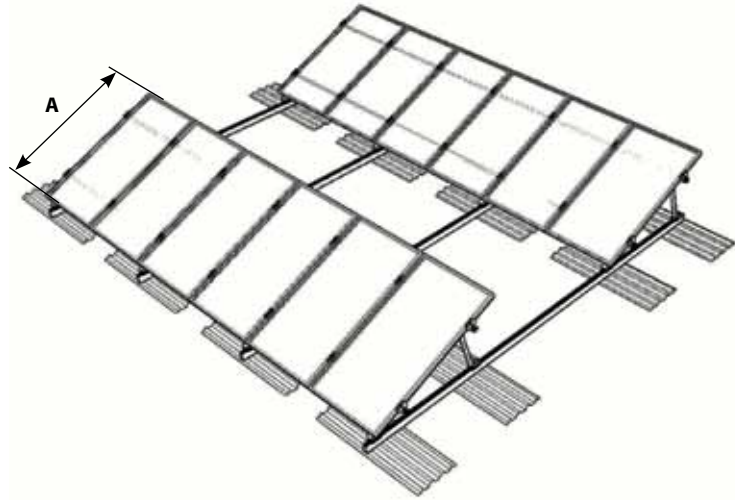


Risk of breakage! PV modules can be damaged if stepped upon.




Risk of electric shock! The mounting and maintenance of the PV modules must be carried out by qualified personnel only. Please observe the all safety regulations issued by the manufacturer!

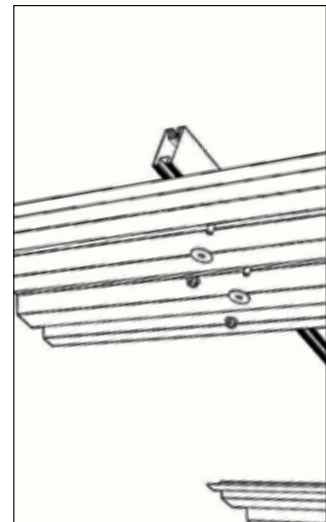
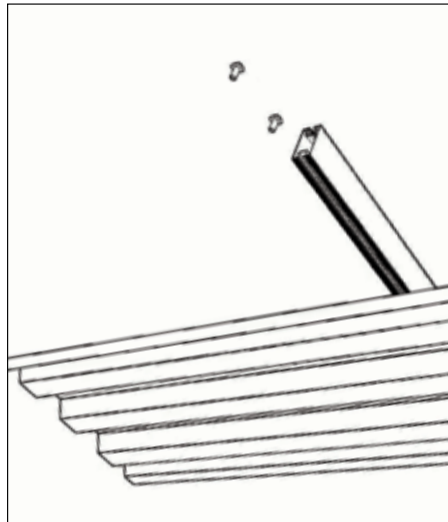
- 1 Define the area of installation
  - Distances from roof edge according to Ruscheweyh:  
Distance from edge =  $1.5 \times A$   
**A** corresponds to the height of the individual module rows
  - Distances in accordance with ballast-loading calculation standard  
West-East= 1.5m North-South: 1.2m
  - Further recommendations are offered in the structural analysis.



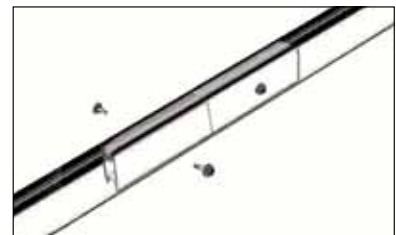
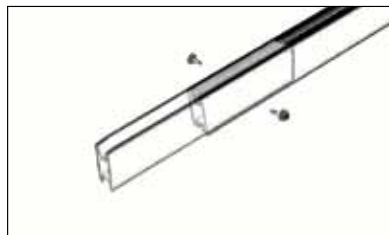
- 2 Position the SolRack plates
  - Arrange the SolRack plates so that these lie beneath the fastening kits in the case of pre-assembled plants.

 Please observe the shading distances between module rows. These can be taken from the calculation documentation (or, for example, from our shade calculator, available on our website).

- 3 Assemble SolRack plates
  - Feed square-head screws M10x25 (2x per SolRack plate) into lower groove of the continuous beam and through the holes of the SolRack plates.
  - Bolt together with flange nuts M10 and flat washers.



- 4 Extending continuous beams
  - Continuous beams can be extended if required.
  - Join two rails together by inserting a connector into one end of each, securing in place at both ends with two self-drilling screws.



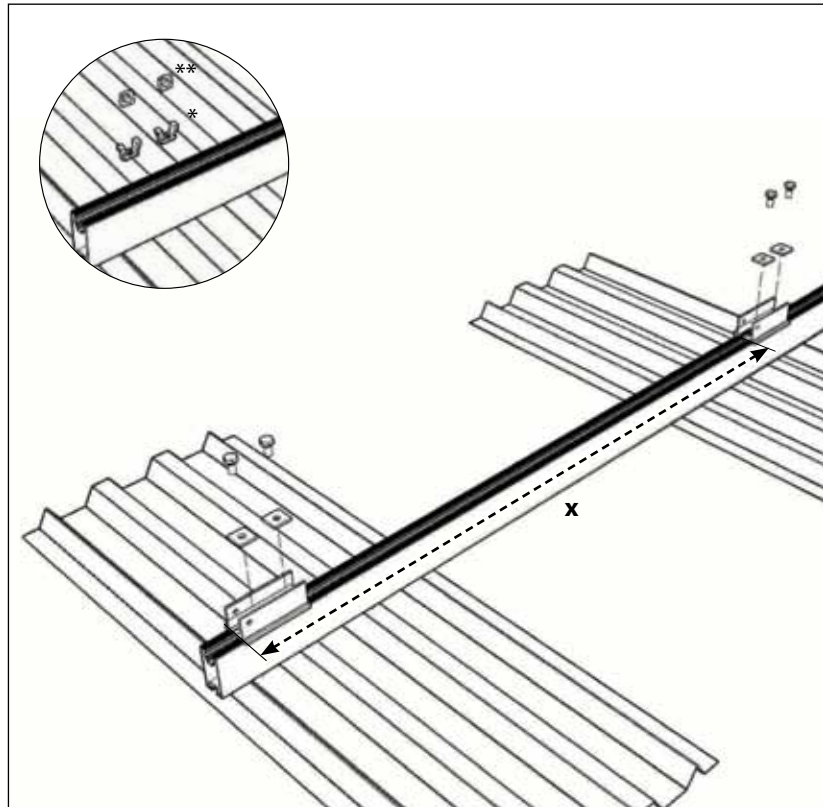
**5 Assemble fastening kits**

- Select dimension **X** to correspond with the size of supports - see table below
- Feed green KlickIn click components into the groove at the required positions.
- Feed square nuts **\*\*** vertically into the click components and twist through 90° so that the rounded edge is underneath.
- Position fasteners and secure each with 2 hexagon head screws and flat washers.

**Dimension x for support upper part:**

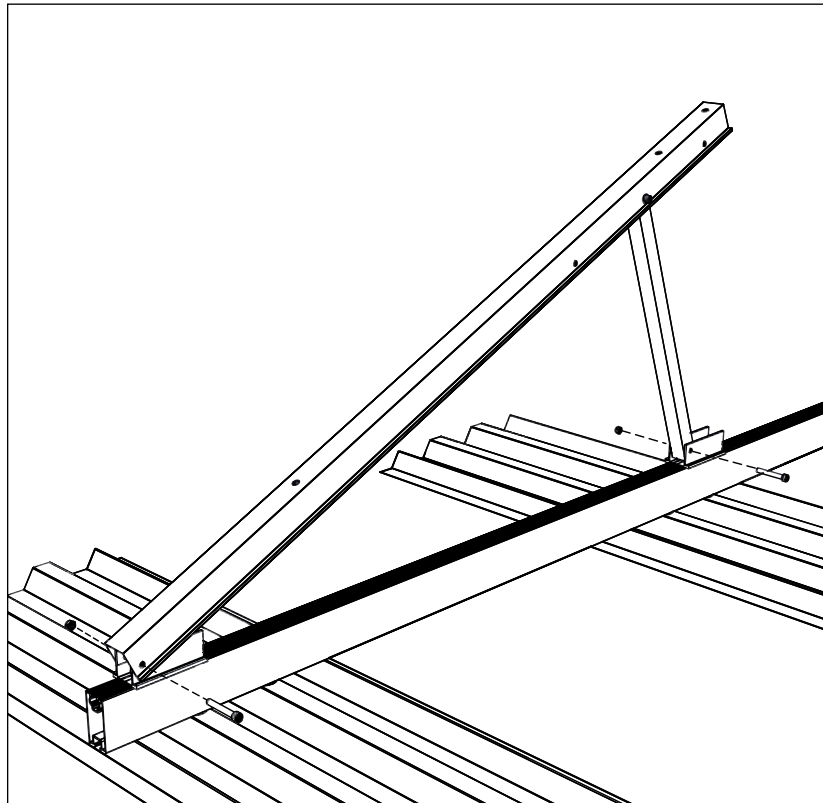
Light 1.0 m	= 811 mm
Light 1.3 m	= 965 mm
Light 1.5 m	= 1360 mm
Profi 1.5 m	= 1360 mm

Dimensions for custom lengths are taken from the calculation documentation.




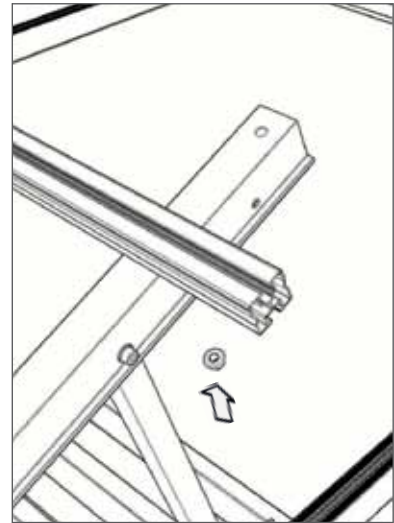
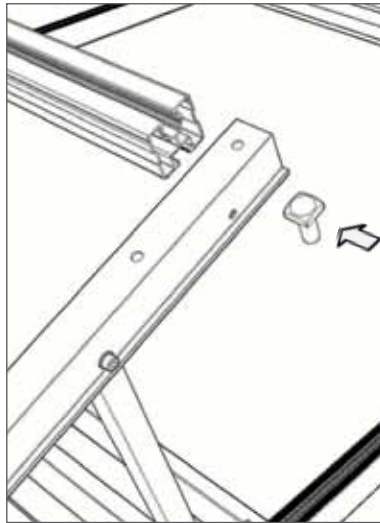
**6 Mount the inclined bearing rail**

- Position the inclined bearing rail upon the fastening kit.
- Bolt together with M8 screws and washers.




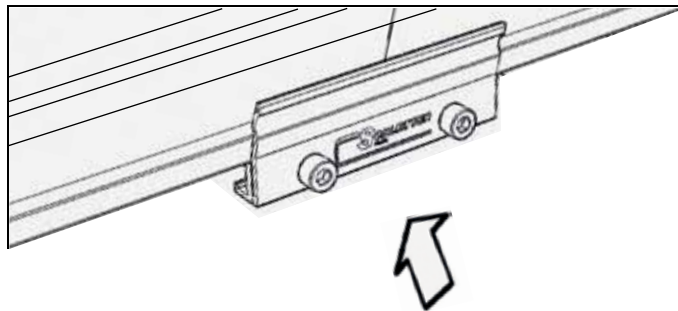
- 7 **Mount module-bearing rail**
  - Feed square-head screws M10x25 into lower channel of the module bearing rail and into holes of the supports.
  - Secure with flange nuts M10.

 The upper hole is used only in a linear arrangement. Please observe data in the calculation documentation.




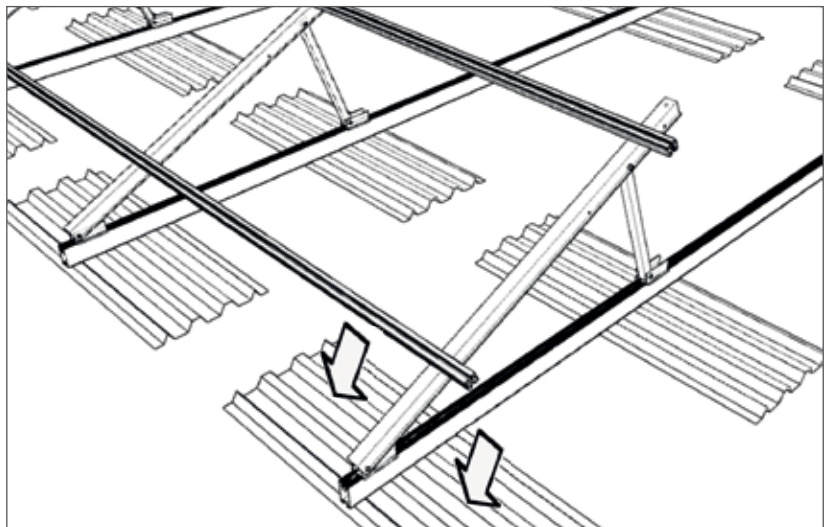
- 8 **Extend module-bearing rail**
  - Position next rail.
  - Mount connector E from below.
  - Tighten pre-assembled screws.

 Please ensure that sufficient space is left at joints for the connector.



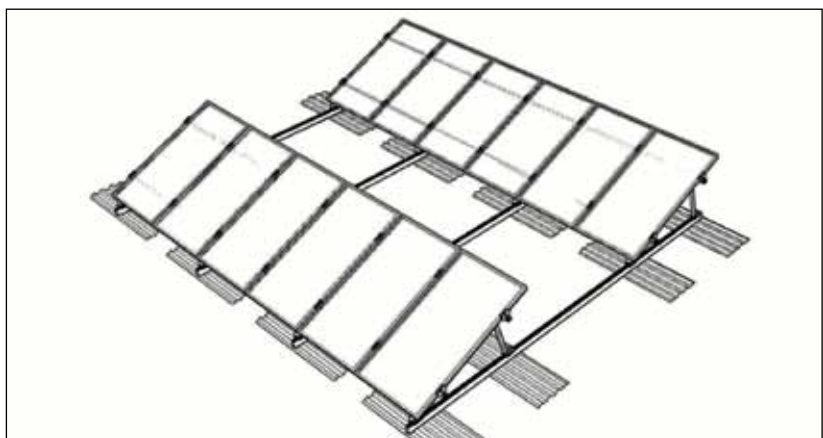
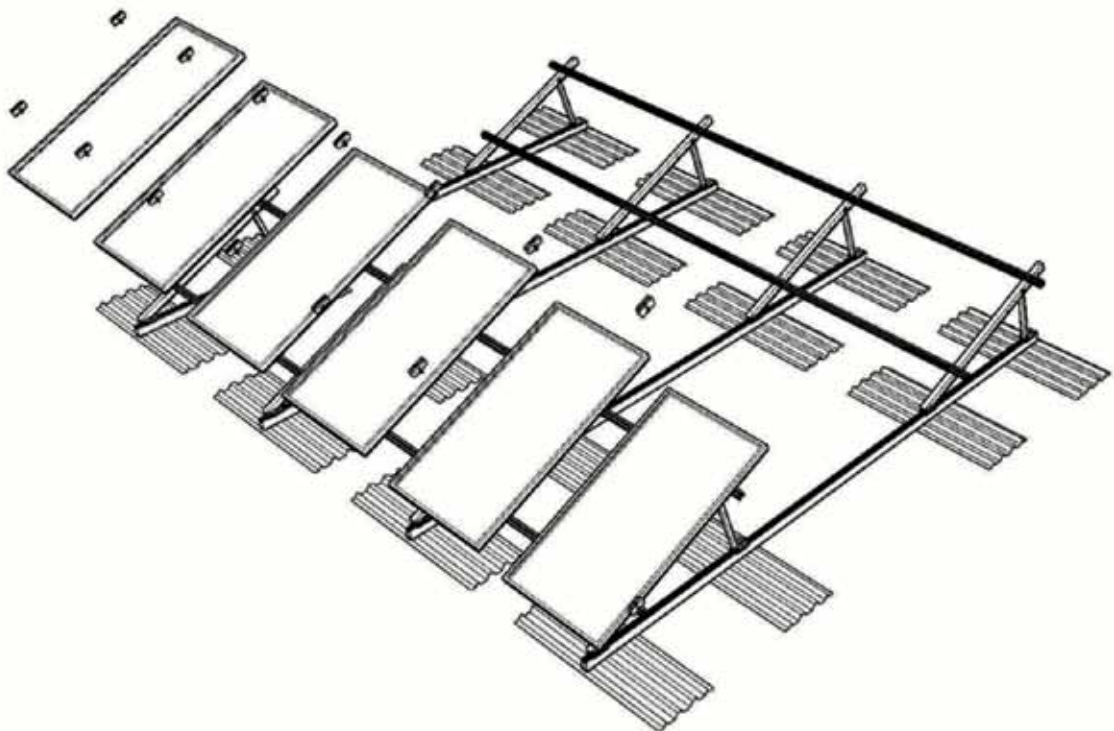
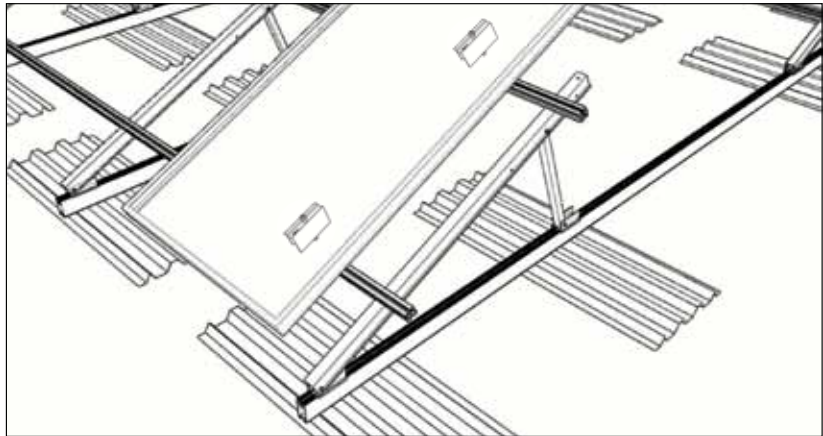
- 9 **Ballast**
  - Fill ballast trays to comply with the structural analysis for superimposed loads.
  - You will receive the structural analysis for superimposed loads together with the plant projecting directly from us or directly in the download area on our website: [www.schletter.eu](http://www.schletter.eu)

 Please note: The distributed load must not exceed the residual load-bearing capacity of the roof!



⑩ Module mounting

- Position the first module to the end of the rail.
- Fasten module with two end clamps - in our example: click in the Rapid end clamps and tighten screws (6-Lobe T40)
- Position further modules and secure each between the modules with 2 middle clamps.
- Secure the last module of a row with 2 end clamps.



For further information relating to our systems, please refer to our website: [www.schletter.eu](http://www.schletter.eu) under Downloads in the Solar section.