

## AluLight

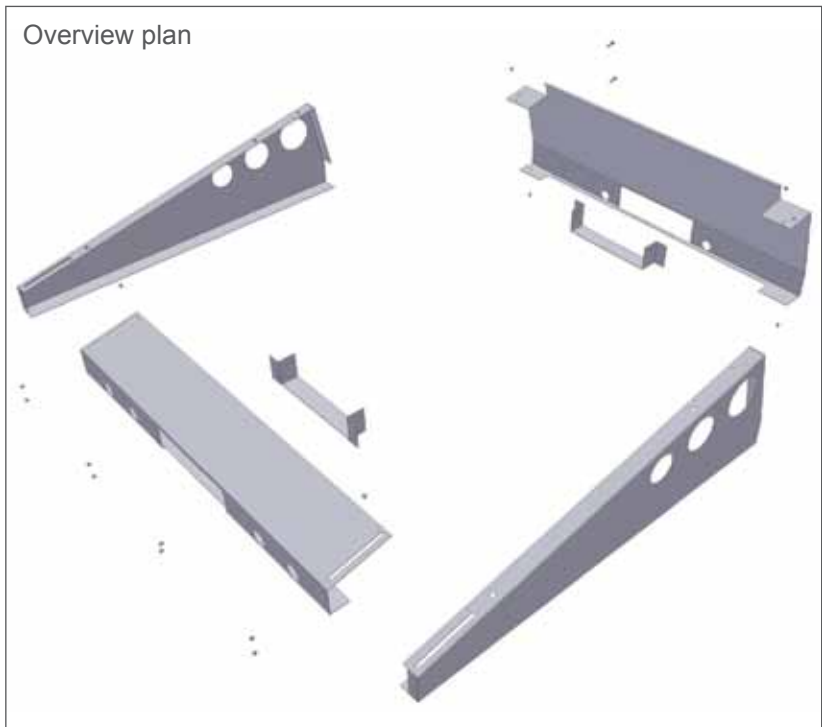
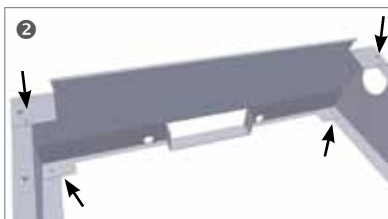
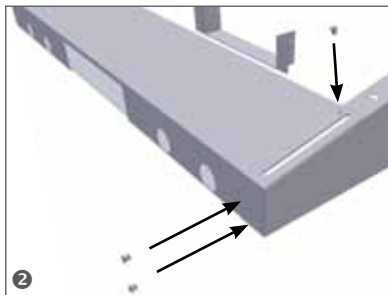
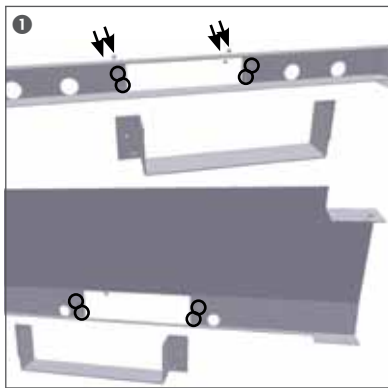
### Mounting instructions



#### 1. Assembly

With a view to keeping transport costs as low as possible for the customer, AluLight trays are generally dispatched as individual sheet metal components. These can be easily assembled on the construction site in just a few simple steps. A pair of rivet pliers or a similar tool is all that is required to construct the trays on location.

- ❶ Fasten the stone reinforcements to the front and rear trim using 4 rivets in each case.
- ❷ Arrange the side pieces and rivet as shown in the diagram.

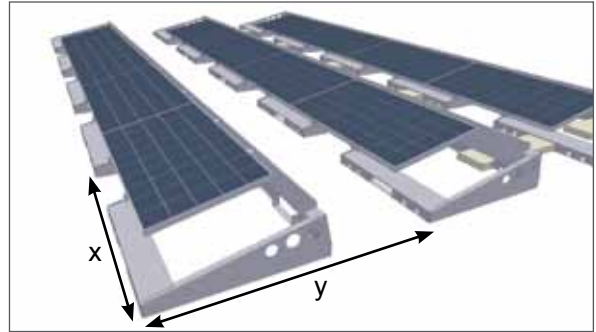
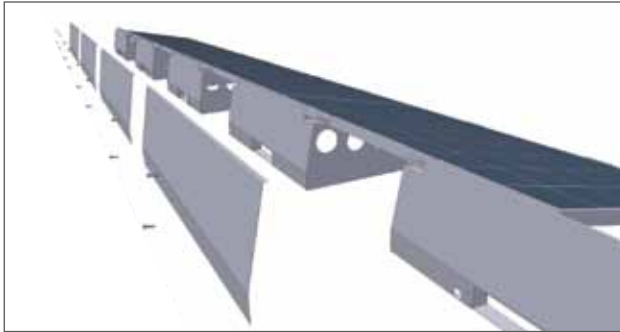
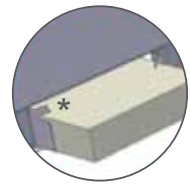


#### Please note:

- The trays should be assembled on a flat surface.
- Rivet pliers are not supplied by Schletter and must be provided by the customer. Select top piece with inner diameter of 2.5 mm.

## 2. Mounting of the trays

- Shading distances  $y$  and dimension  $x$  must be observed when arranging the trays. Dimension  $x$  correlates to the module length.
- Use narrow trays at the edges (see last image).
- Secure Windsafe sheets, each with 4 self-drilling screws.
- Lay out a surface protection mat, then arrange and secure the concrete slabs \*.



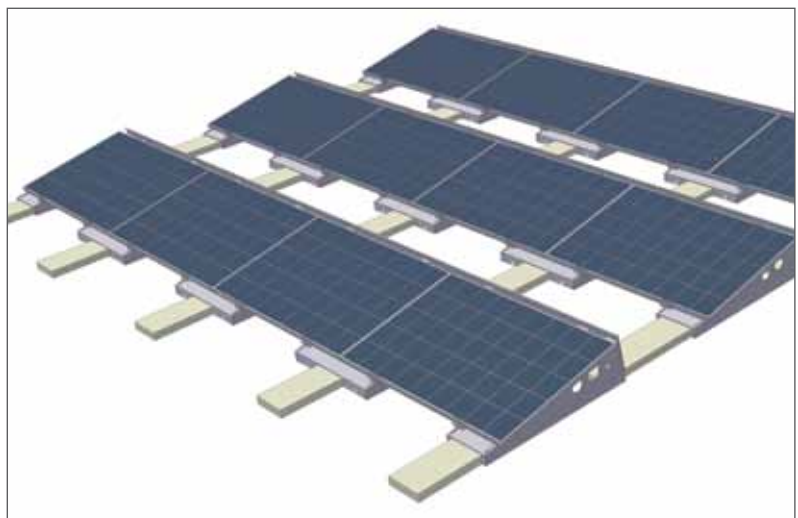
## 3. Mount modules

- Pre-assemble module end clamps (inbus screws - module clamp - threaded plate below).
- Position each module centrally across the tray and secure with clamps.
- That's it!



### Please note:

- Please use a surface protection mat.
- Corner blocks are not supplied by Schletter.
- Corner blocks are calculated according to the superimposed load calculation. Select values (to approx. 255x65 mm cross section).
- The remaining load-bearing capacity of the building must not exceed the calculated distributed load of the system.



For further information on our systems, please refer to our website:  
[www.schletter.eu](http://www.schletter.eu) under Downloads in the Solar section.