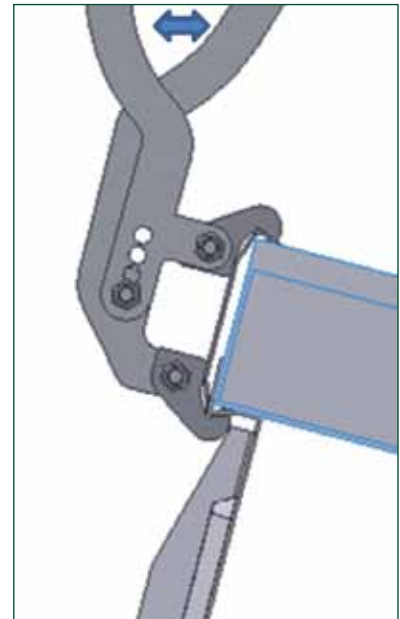


AluGrid tool

Operating instructions

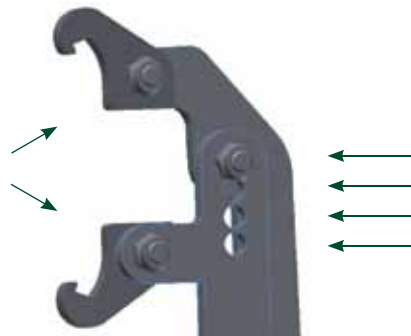
Our new **AluGrid** system drew big interest at the Intersolar and is now in high demand. By now, the first solar plants have been installed to the full satisfaction of the installers. At this point, our production facilities can swiftly produce the components required for small and medium-sized solar plants. We are currently creating production capacities for big projects, so that we will be able to deliver big amounts of components in the near future. Despite all our efforts, we unfortunately cannot yet offer the special pliers required for the mounting of the AluGrid module clamps. However, in order to enable you to mount the system, we will provide you a prototype of this tool free of charge.

We will do our very best to improve this situation and we would like to ask for your understanding. The correct handling of the special pliers is described below.



1. Adjustment of the pliers according to the size of the AluGrid module clamp

It has to be made sure that the jaws are moveable!



Module clamp:

- ← 50 - 48
- ← 46 - 42
- ← 40 - 36
- ← 35 - 30

2. Mounting of the AluGrid module clamp

It has to be made sure that the clamp is not overstretched!



1 Pliers and module clamp



2 Put the clamp in the lower jaw



2 Put the clamp in the upper jaw



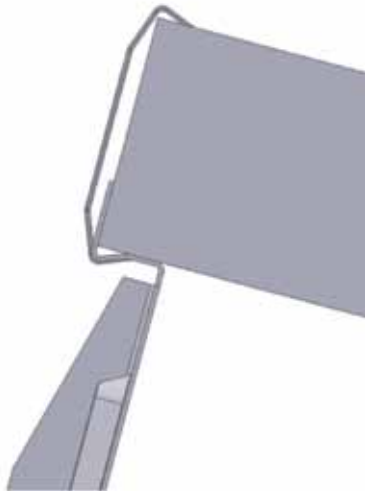
4 Span the clamp using the pliers



5 Put the clamp on the module and the AluGrid system.



6 Release the clamp and take off the pliers



7 Readily mounted clamp

Further information on our systems at www.schletter.eu