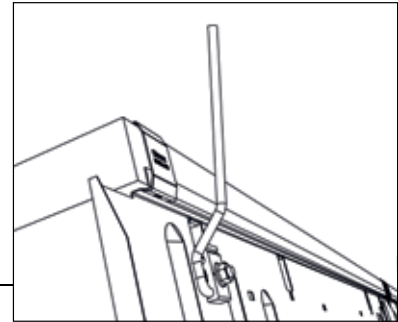
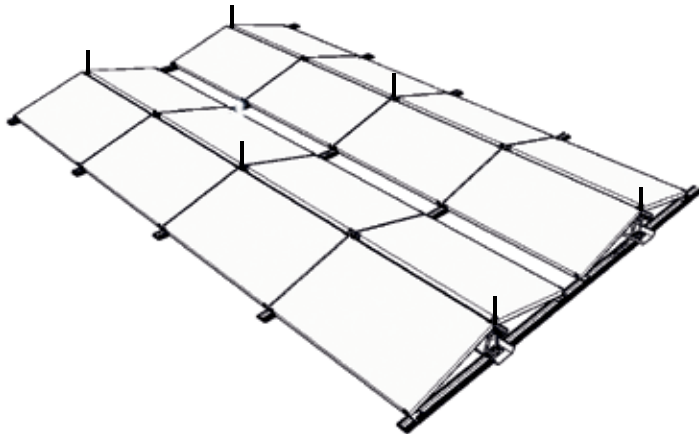
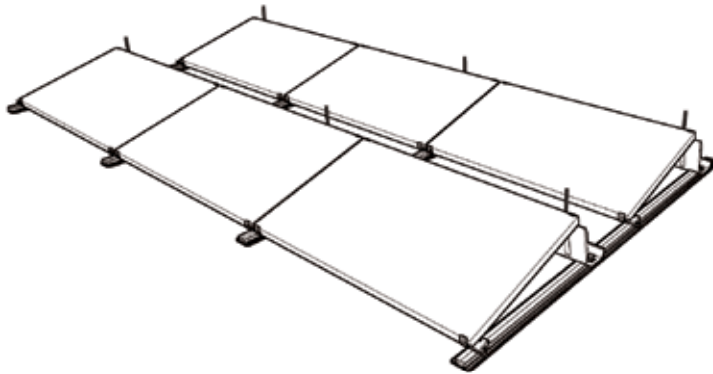
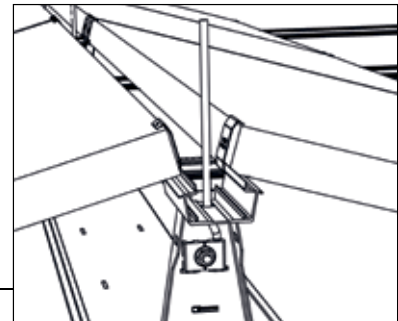


AluGrid Protect

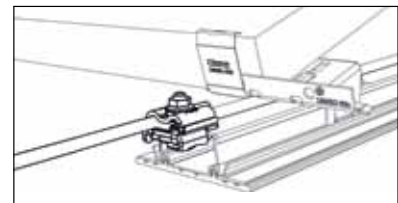
Mounting Instruction



Lightning clamp with lightning rod for AluGrid and AluGrid100+



Lightning clamp with lightning rod for AluGrid and AluGrid100+



Universal clamp for lightning protection and potential equalization

Required tools

Open-ended wrench SW15

Additional documentation required

Planning guidelines and further information relating to lightning protection can be referenced in the AluGrid brochure at: www.schletter.de

Safety instructions



Risk of breakage! PV modules can be damaged if stepped upon.



The planning, mounting and commissioning of a solar energy plant must be undertaken, exclusively, by qualified personnel. Unprofessional execution of the project can result in damage to the plant and place people in danger.



Risk of electric shock! The mounting and maintenance of the PV modules must be carried out by qualified personnel only. Please observe the all safety regulations issued by the manufacturer!



Risk of falling! There is a risk of falling when working on the roof as well as when ascending and descending the building. Accident prevention regulations must be observed and appropriate safety equipment must be used.



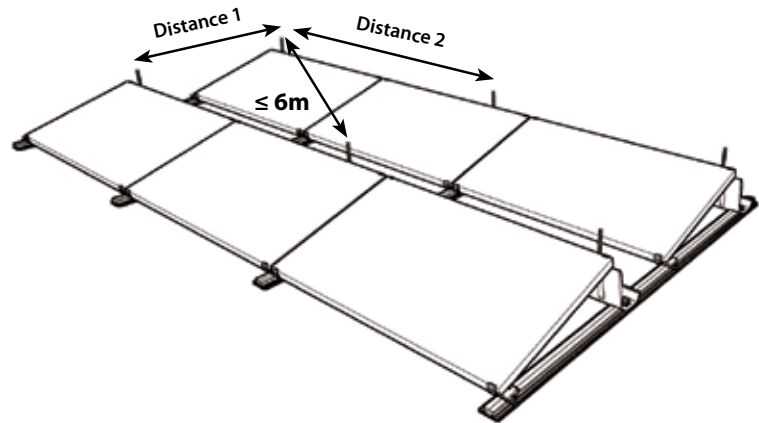
Risk of injury! Objects falling from the roof can cause injury to people. The danger area around the installation site must be secured and people present in the area warned of the risks.

Mounting the lightning rod - AluGrid and AluGrid+

The spacing and arrangement of lightning rods must be determined geometrically, for example using the so-called rolling sphere method. The following guideline can be used when planning:

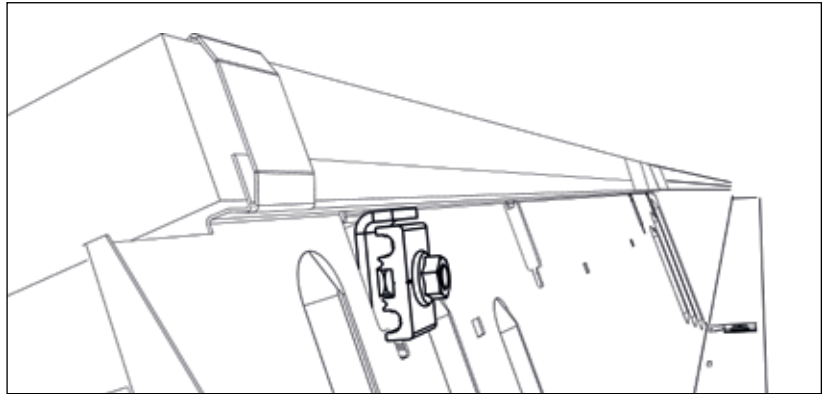
Lightning rods must be arranged at a maximum permissible distance of 6 meters apart in accordance with the chart below.

Distance 1 (m)	distance 2 (m)
2.00	5.66
2.20	5.58
2.40	5.50
2.60	5.41
2.80	5.31
3.00	5.20
3.20	5.08
3.40	4.94
3.60	4.80
3.80	4.64
4.00	4.47
4.10	4.38
4.20	4.28
4.30	4.18
4.40	4.08
4.50	3.97
4.60	3.85
4.70	3.73
4.80	3.60
4.90	3.46
5.00	3.32
5.10	3.16
5.20	2.99
5.30	2.81
5.40	2.62
5.50	2.40
5.60	2.15
5.70	1.87



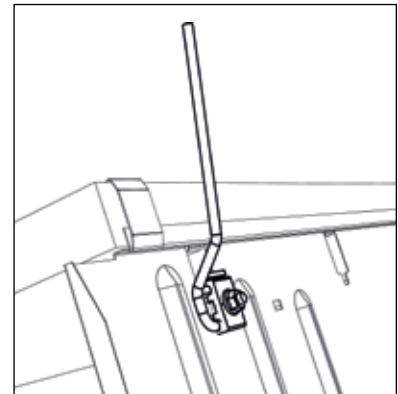
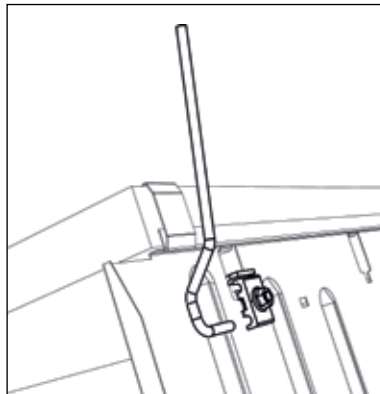
1 Hook in lightning protection clamps

- Very carefully, push the metal flap in the Windsafe sheet inwards, avoiding sharp edges! Hook lightning protection clamp for AluGrid and AluGrid+ into the opening.
- The bolt must be driven with the square head-piece into the channel on the underside.



2 Fasten the lightning rod

- Feed the hooked end of the lightning rod through the lower hole of the lightning protection clamp from the left.
- Tighten nut M10 at torque of 40 Nm (SW.15)

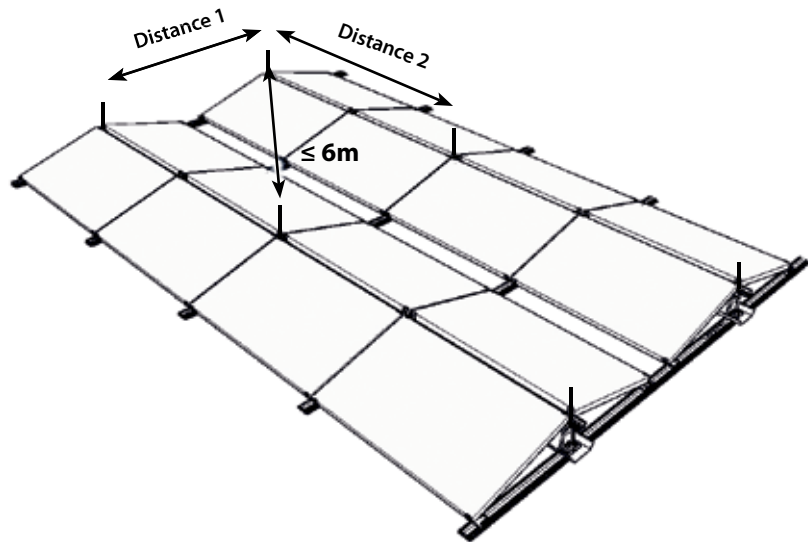


Mounting the lightning rod - AluGrid100 and AluGrid100+

The spacing and arrangement of lightning rods must be determined geometrically, for example using the so-called rolling sphere method. The following guideline can be used when planning:

Lightning rods must be arranged at a maximum permissible distance of 6 meters apart in accordance with the chart below.

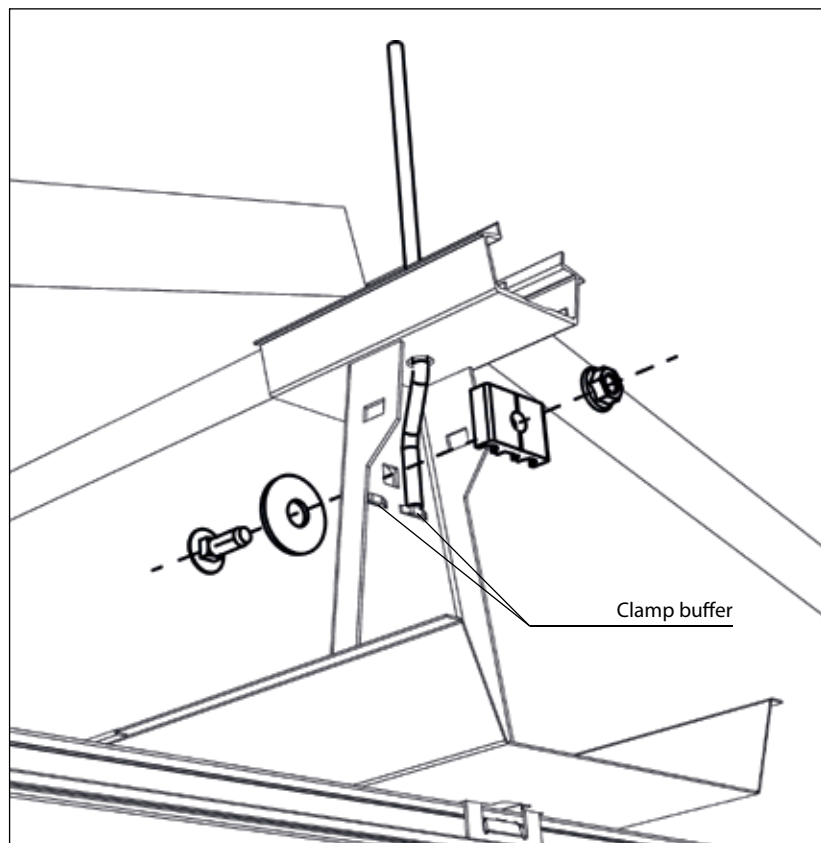
Distance 1 (m)	distance 2 (m)
2.00	5.66
2.20	5.58
2.40	5.50
2.60	5.41
2.80	5.31
3.00	5.20
3.20	5.08
3.40	4.94
3.60	4.80
3.80	4.64
4.00	4.47
4.10	4.38
4.20	4.28
4.30	4.18
4.40	4.08
4.50	3.97
4.60	3.85
4.70	3.73
4.80	3.60
4.90	3.46
5.00	3.32
5.10	3.16
5.20	2.99
5.30	2.81
5.40	2.62
5.50	2.40
5.60	2.15
5.70	1.87



- ❶ **Hook in the lightning rod**
 - Feed the lightning rod through the designated hole in the upper module bearing rail.

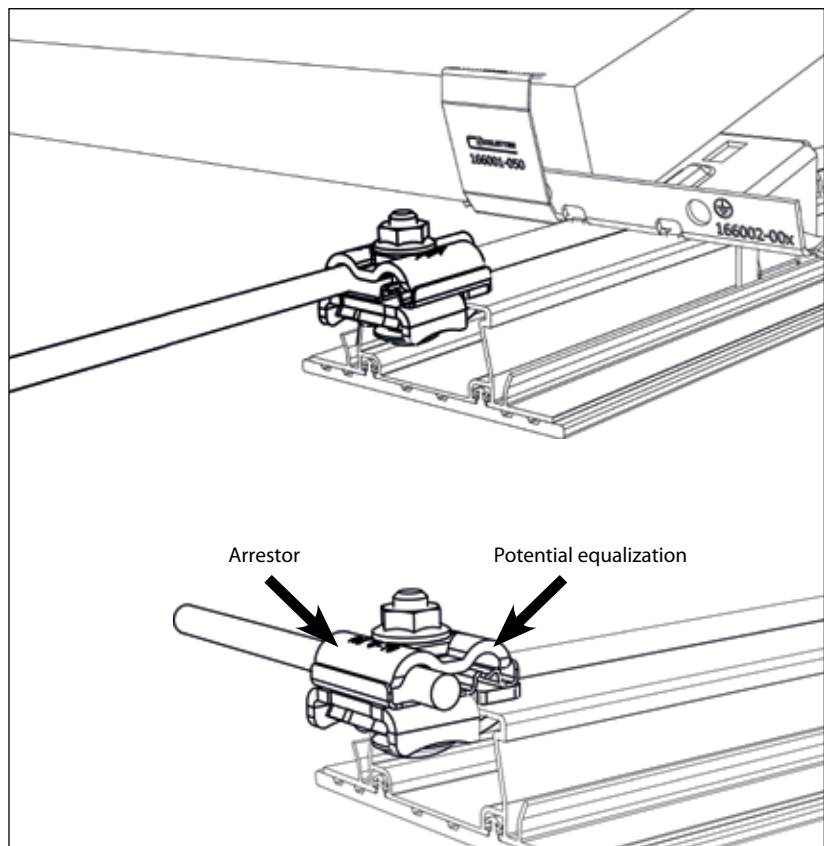
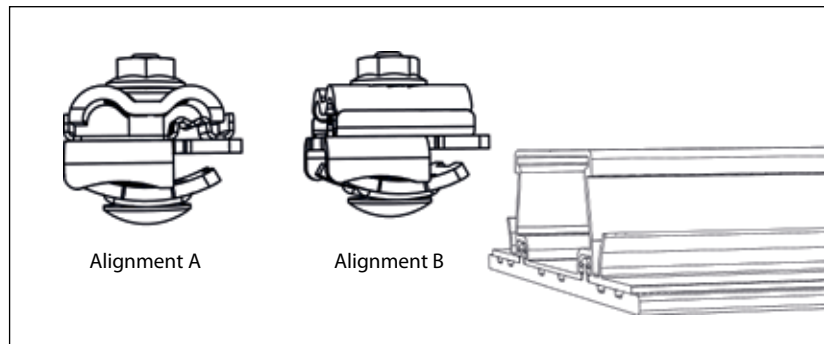
- ❷ **Mount lightning protection clamp**
 - Assemble lightning protection clamp for AluGrid100 and AluGrid100+ as shown in opposite image.
 - Position lightning rod and clamp against clamp buffer.
 - Tighten nut M10 at torque of 40 Nm (SW.15)

- ⚠ **Ensure parallel installation of the lightning rods.**



Mounting universal clamps

- ❶ **Mount universal clamps**
- Select appropriate alignment (A/B)
- Clip universal clamp to continuous beam
- Add arrester and / or potential equalization device.
- Tighten nut M10 at torque of 40 Nm (SW.15)



For further information relating to our systems, please refer to our website: www.schletter.eu