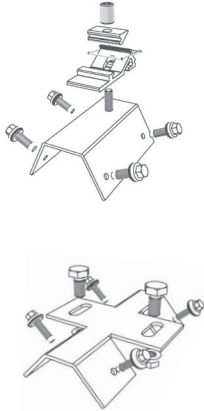


# Fix2000 – Checklist EN

We thank you for your interest in our systems. Please enter all information requested in the form below to allow us to generate an offer tailored to your specific requirements. Please note: the fields marked with → are mandatory fields!



## Company data

→ \_\_\_\_\_  
Customer number

→ \_\_\_\_\_  
Company name

## If you are a new customer, please enter your company and contact data

\_\_\_\_\_  
Company

\_\_\_\_\_  
Street

\_\_\_\_\_  
Postal code      Town/city

\_\_\_\_\_  
Country

\_\_\_\_\_  
VAT ID

## Contact person

\_\_\_\_\_  
First name

\_\_\_\_\_  
Last name

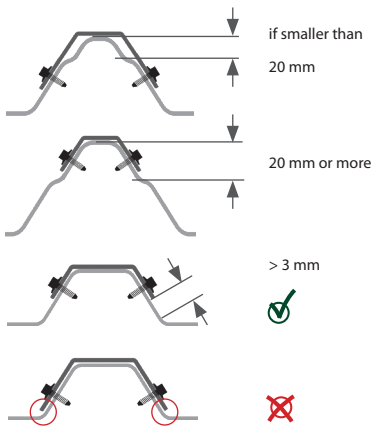
\_\_\_\_\_  
Telephone

\_\_\_\_\_  
Mobile

\_\_\_\_\_  
Fax

\_\_\_\_\_  
E-mail

## Application examples

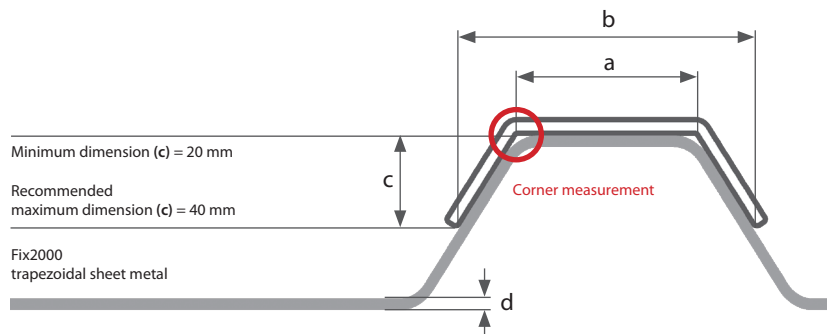


(c) This dimension should be at least 3 mm shorter than the distance from the crown to the trough. Consider the radius of the red circle in the picture above!



Use the gauging tool (119009-000) to easily measure the required dimensions.

**In each case, measure at several crowns!**



Minimum dimension (c) = 20 mm

Recommended maximum dimension (c) = 40 mm

Fix2000 trapezoidal sheet metal

- Please mark with a cross if Schletter has to adapt the dimensions so that rubber can be applied (not glued in yet). For example if you already have rolls of rubber in stock.

\_\_\_\_\_  
(a) dimension (mm)

\_\_\_\_\_  
(b) dimension (mm)

\_\_\_\_\_  
(c) dimension (mm)

\_\_\_\_\_  
(d) sheet thickness (mm)

Please note: If clamps with glued-in rubber or rubber for do-it-yourself gluing are chosen, the dimensions (a) and (b) will be adjusted accordingly by Schletter

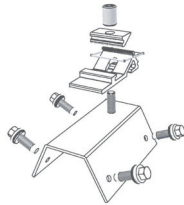
**For dimensions of 100 mm and more, there will be an extra charge.**

## Sheet metal

- Steel  
 Aluminum

# Fix2000 – Checklist EN

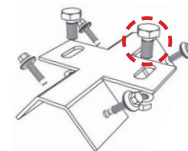
Please use the item numbers listed below to order the clamp design you want.



113002-000 Fix2000 KlickTop  
113002-001 Fix2000 KlickTop  
(with glued-in rubber)



113010-000 SingleFix H  
113010-001 SingleFix H  
(with glued-in rubber)



The second bolt is not included in the scope of delivery.

113001-000 Fix2000 Standard  
113001-001 Fix2000 Standard  
(with glued-in rubber)

If you want to make the rubber rolls part of your order, please select here:

Rubber for do-it-yourself gluing-in

## Please note:

- When using the trapezoidal sheet metal clamp Fix2000, always consider the structural analysis of the complete system! Verifications of structural safety are only valid for complete systems made by Schletter!
- If an additional sealing on the inner side of the clamp is desired, an EPDM-rubber can also be glued in later (please don't forget to order the EPDM-rubber), or order the clamps with glued-in rubber in the first place.
- But it is also possible to equip the clamp at the holes on the inner side with permanently elastic sealing mass (for example SikaFlex). (Not included in the scope of delivery)

**Thank you for taking the time to provide us with all required information.**

Please fill in the check list completely and send it to us so that we can create your calculation as quick as possible.

Please send the check list by fax to +49 8072 9191-9200 or by e-mail to [anfrage@schletter.de](mailto:anfrage@schletter.de)!

Do you need further information? [www.schletter.eu](http://www.schletter.eu)